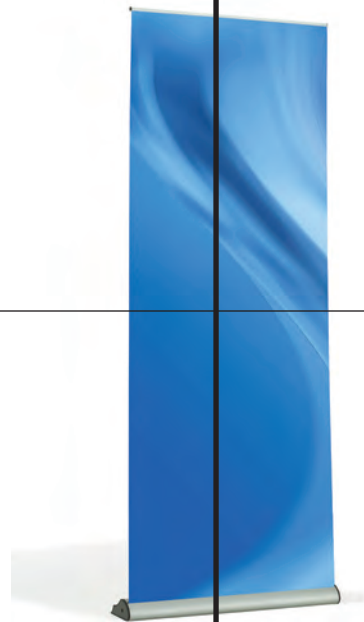


# SIGMA ROLLER BANNER STANDS

ROLLER BANNER STANDS



Slimline mechanical hanger

complete with  
carry bag

Single sided 800mm width

ROLLER BANNER STANDS

# SIGMA

# ROLLER BANNER

THE SIGMA BANNER STAND ENCAPSULATES, STYLE, FEATURE AND VERSATILITY. IT'S FLAT ANTI-SLIP BASE DESIGN MAKES THIS ROLLER A HIGH END STAND AT A MID RANGE PRICE.

#### FEATURES

- Single sided 800mm width
- Slimline mechanical hanger
- Streamlined dynamic design
- Adjustable telescopic marked poles
- Patented mechanism allows graphic tension to be easily adjusted
- Visible graphic height maximum 2.1m
- Sirius spotlight available for use with this product



Hanger attaches to pole easily



HIGHLY PORTABLE



1. Sirius - Nickel Finish  
50w mains spotlight
2. Sirius - Chrome Finish  
50w mains spotlight
3. Polaris - Silver Finish  
50w mains spotlight
4. Polaris - Black Finish  
50w mains spotlight

ROLLER BANNER STANDS

STREAMLINED DYNAMIC DESIGN

RAPID ASSEMBLY

2 YEAR WARRANTY

## ECIFICATIONS

### GRAPHIC PANEL SIZE

Finished graphic panel size  
2300 x 800mm (Includes 200mm bleed)  
Top 10mm of graphic is hidden by the hanger

Visual graphic area  
2100 x 800mm

### SYSTEM SIZES

Boxed size  
900 (L) x 225 (W) x 105 (D)mm

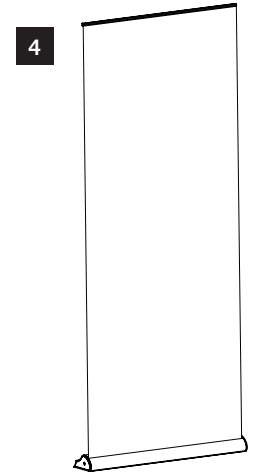
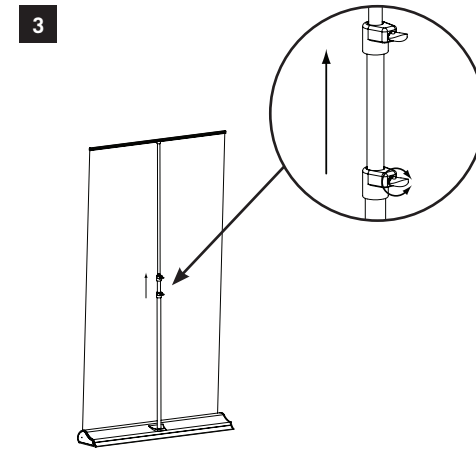
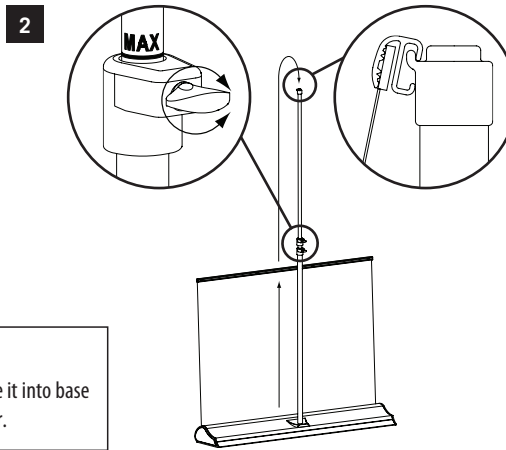
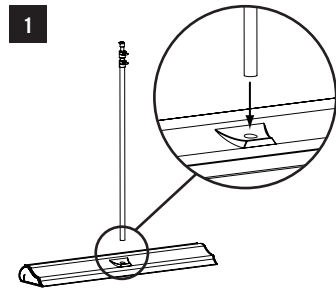
Assembled size  
820 (W) x 180 (D) x 2175 (H)mm

BOXED WEIGHT  
4.5kg

## COMPONENT LIST

Sigma unit  
3 part telescopic pole  
Graphic hanger including self adhesive hanging strip  
Carry bag

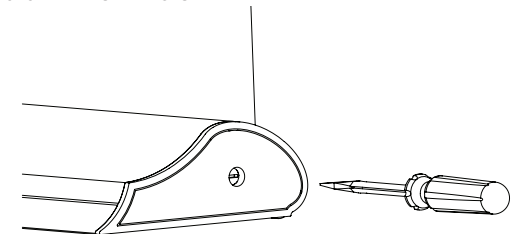
## SIGMA - ASSEMBLY INSTRUCTIONS



### IMPORTANT NOTICE:

When retracting a graphic always slowly guide it into base housing, otherwise graphic damage may occur.

## ADDING OR REMOVING GRAPHIC TENSION



### ADDING TENSION

Insert a standard flat headed screwdriver into slot located in the end of unit and turn clockwise to add extra graphic tension.

### REMOVING TENSION

To un-tension graphic panel place a flat headed screwdriver into the slot and push to disengage ratchet. Hold in and turn anti-clockwise until tension in spring is released. To remove graphic panel carefully peel it off leader sheet. The graphic hanger can also be removed or a new hanger can be purchased.