

## SPECIFICATIONS

### GRAPHIC PANEL SIZES

Finished graphic panel size

2100x800mm

Visual graphic area

2072 x 800mm (Gripper rail hides 14mm at the top and bottom)

Maximum finished graphic panel thickness

500 micron

### SYSTEM SIZES

Boxed Size

850 (L) x 105 (W) x 105 (D)mm

Boxed Weight

2.3kg

Assembled

815 (W) x 275 (D) x 2155 (H)mm

## COMPONENT LIST

3 part telescopic pole

top gripper rail

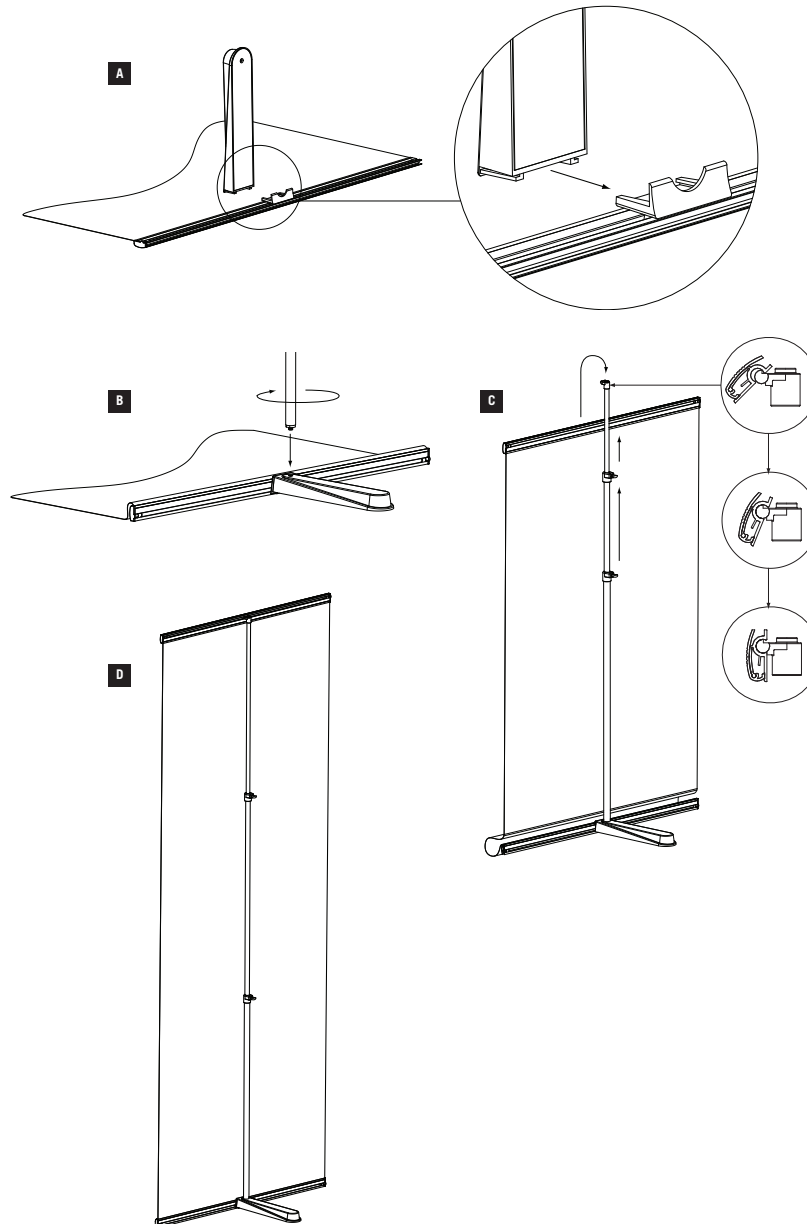
bottom gripper rail

foot

drawstring bag

carry box

## COBRA BANNER STAND ASSEMBLY INSTRUCTIONS



## GRAPHIC ATTACHMENT

