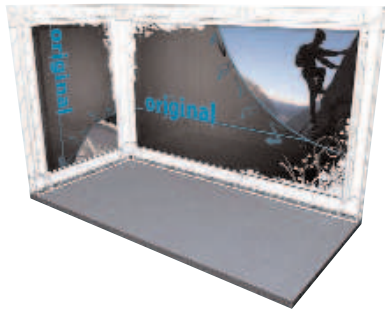


Arena 4 Gantry



Example Arena Kit 2 UT001



Example Arena Kit 1 UT002



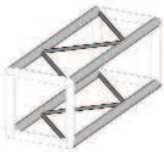
Example Arena Kit 3 UT003

The Arena 4 gantry system is ideal for creating exciting exhibition stands, showroom and retail displays, with a wide variety of components for complete design flexibility.

features & benefits

- Arena 4 is made from lightweight aluminium, yet is extremely strong, with a load bearing span of 6m.
- Quick and easy to assemble with bolt and wing nut fixings - no tools required
- Load bearing upto 100kgs approx
- Maximum unsupported span 6m

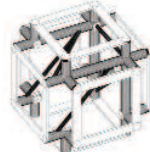
hardware components



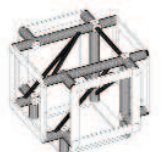
Straight section UT/S
Lengths (mm): 250,300,
500,750,1000, 1250,
1500,1750, & 2000



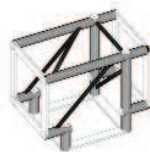
3-way corner junction
UT/C30



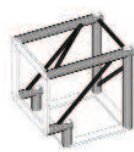
6-way junction
UT/C65



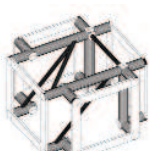
5-way junction
UT/C55



3-way T-shaped junction
UT/C35



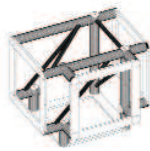
2-way 90° corner
UT/C21



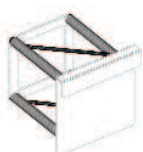
4-way cross junction
UT/C40



250mm base section
UT/B2250



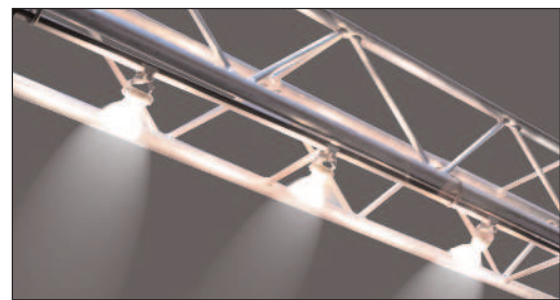
4-way T-junction
UT/C41



Panel hook over plate
UT/HP250



Radius Curved
1000 (UT-C100) or 500
(UT-C500)

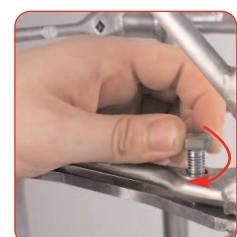


PS1100 Track Lighting - 3 x 50w LV

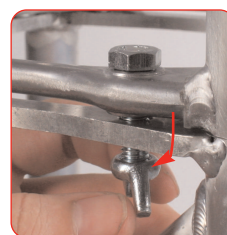
Assembly instructions



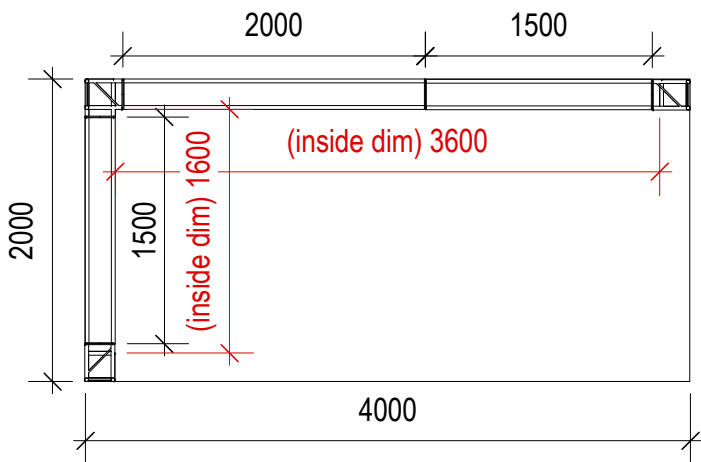
Align the arena section with the bolt holes on both sections



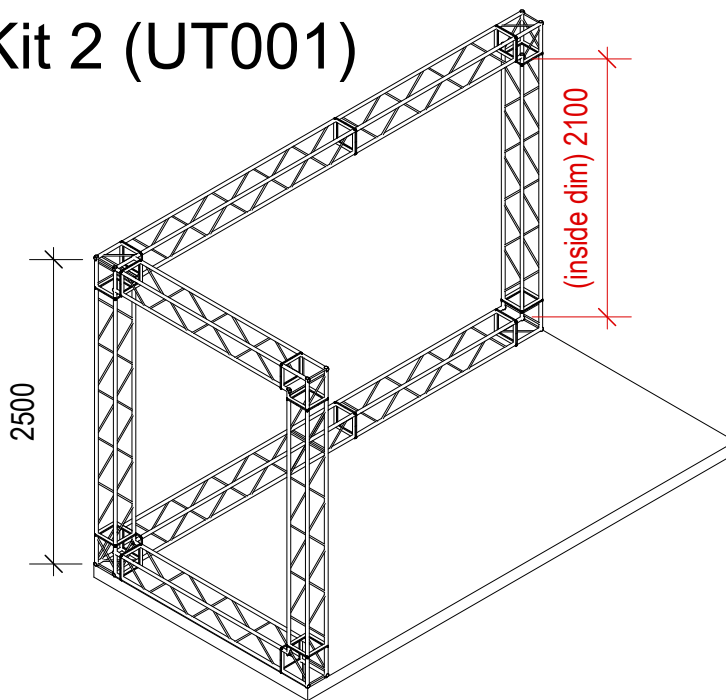
Slot the m8 bolt into the bolt hole



Attach the wing nut to secure the arena sections in place.

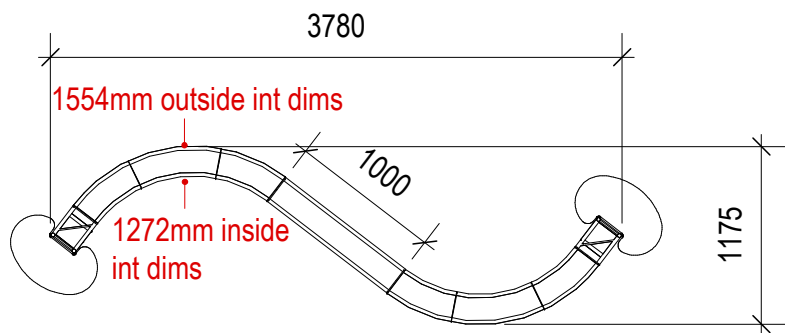


Kit 2 (UT001)

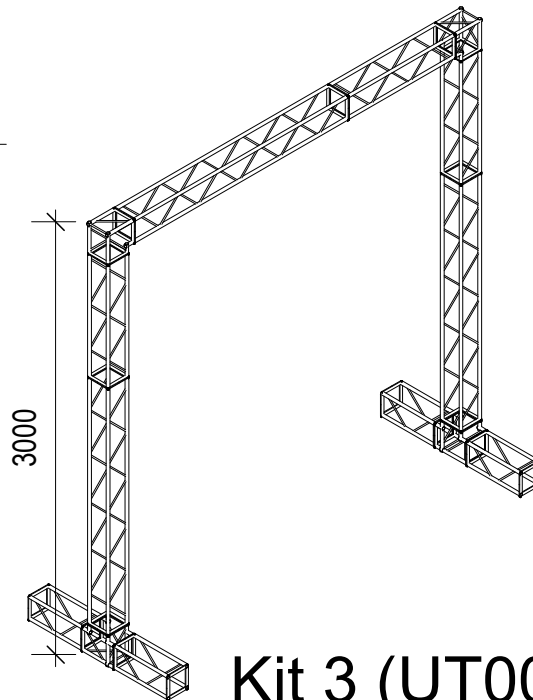
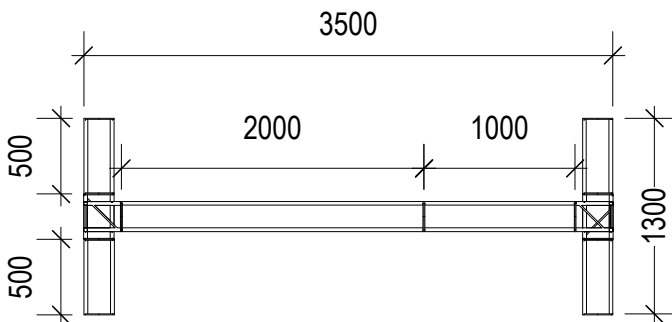


"ARENA 4 kits 1-3"

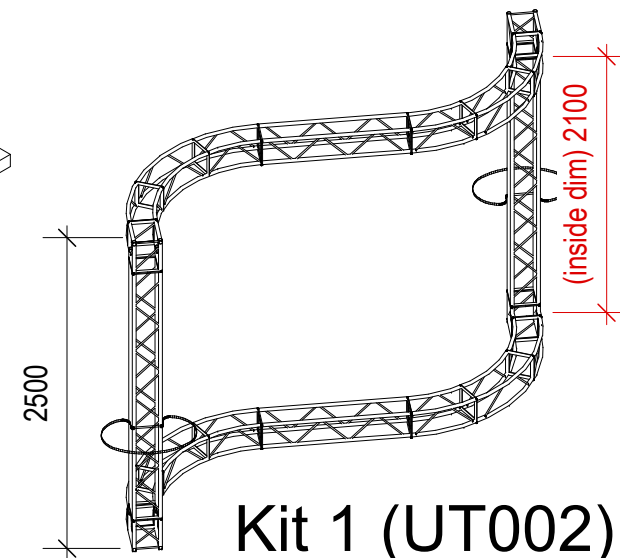
Please use the internal dimensions shown to calculate your graphics sizes.



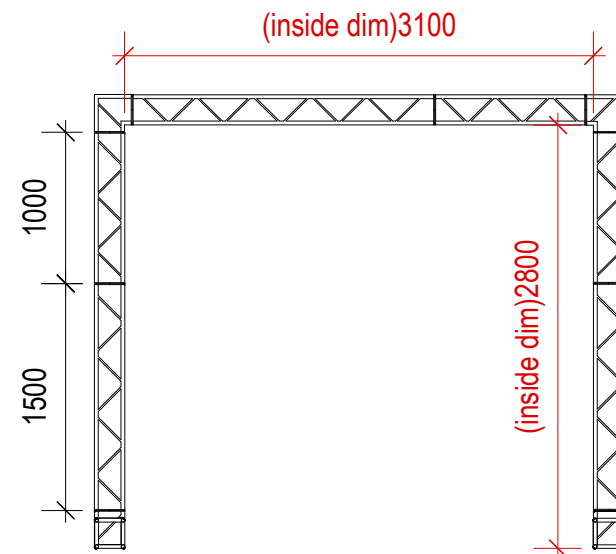
Internal size for front & rear: 2100x3926mm



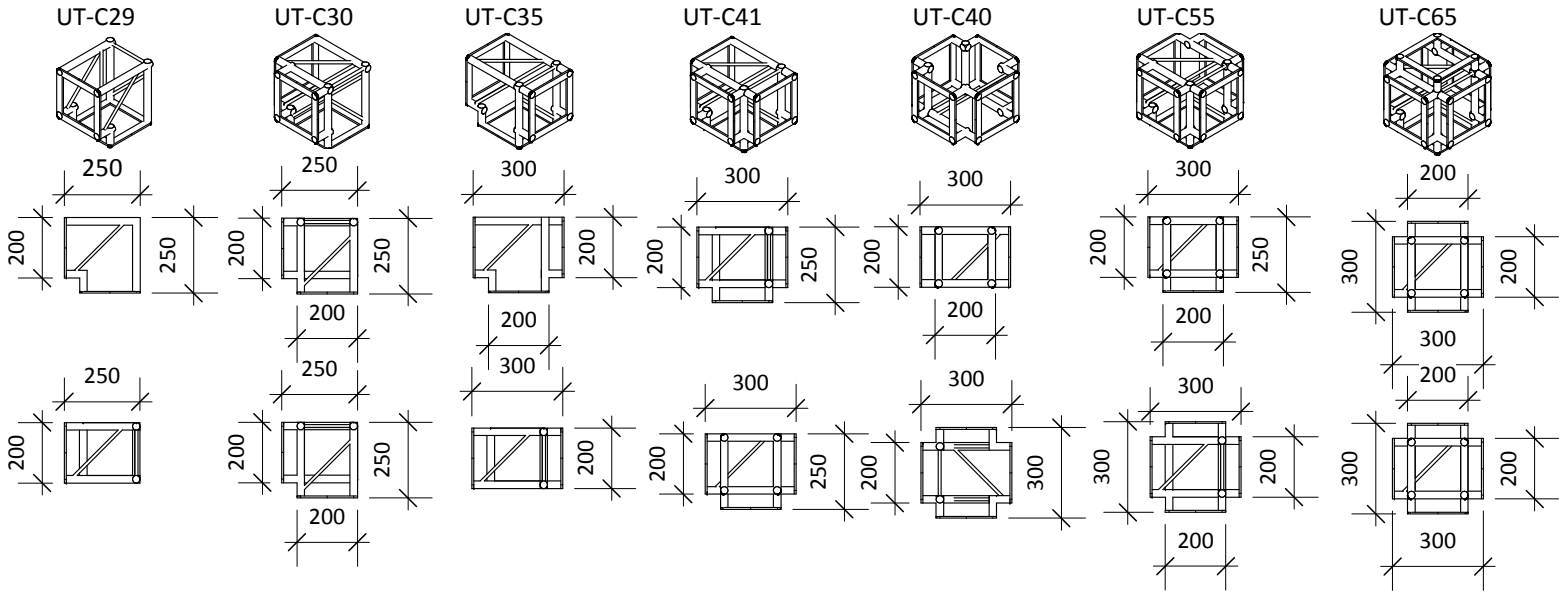
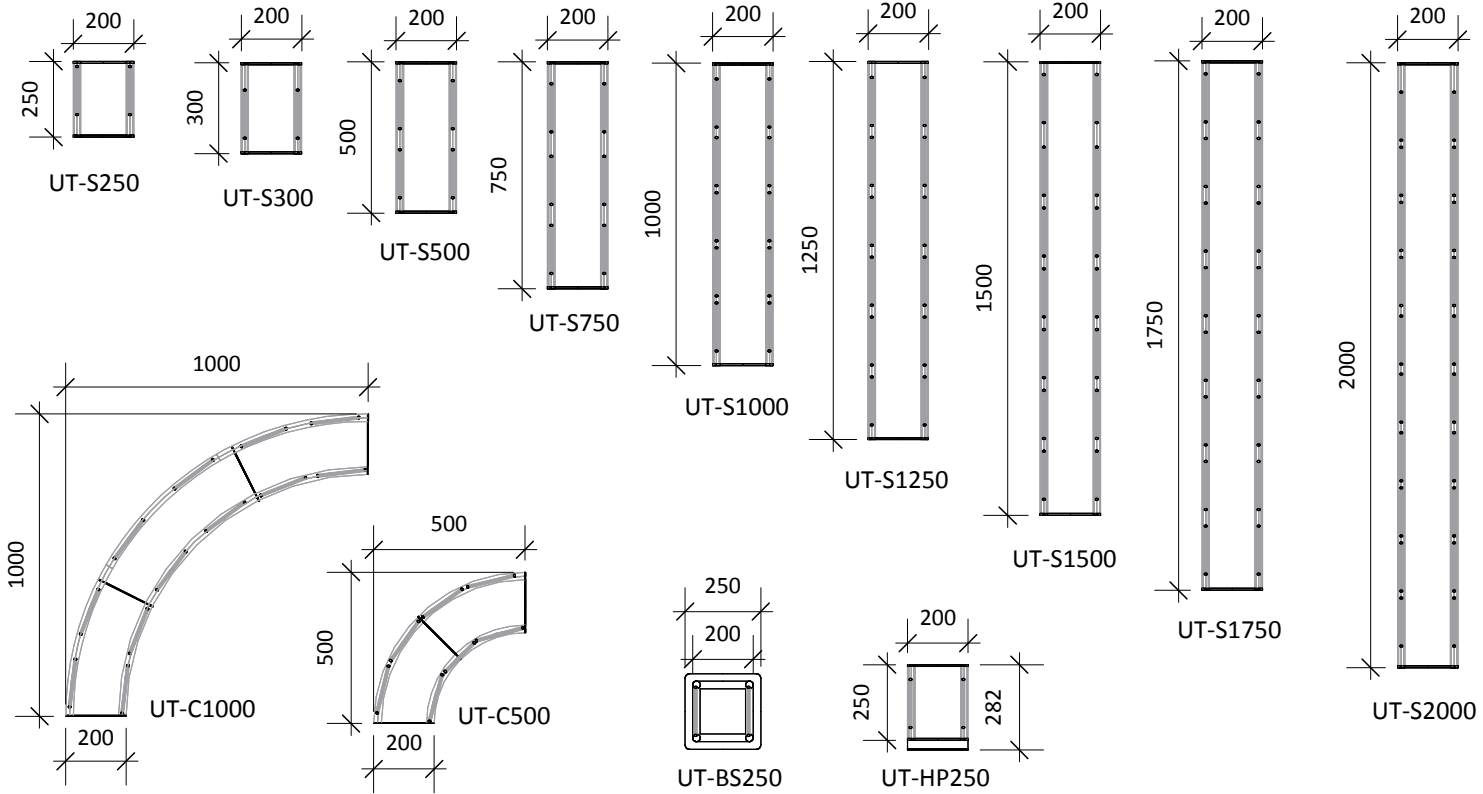
Kit 3 (UT003)



Kit 1 (UT002)



ARENA 4 RANGE - MEASUREMENT DETAILS



ISOMETRIC VIEW

SIDE VIEW

PLAN VIEW